

PUBLIC WORKS DEPARTMENT

Engineering Division -CITY OF

WOODBURN

190 Garfield Street

Woodburn, OR 97071 FAX:

503.982.5242

# ADDENDUM

---

Addendum No.:            2

---

Project Name:            RFP – Boones Crossing Park

---

Project No.                \_\_\_\_\_

---

Date:                        March 3rd, 2025

---

To:                            All Bidders

---

NOTE: This Addendum forms part of the Contract Documents and modifies the specifications and drawings, as noted below. Bidders submitting an offer must sign this form, acknowledging receipt of addendum, and supply it with their proposal. Failure to do so may subject the Bidder to disqualification.

## ITEM 1 PROJECT MANUAL:

1. Instructions to Bidder; page 6 - Replace “July 5, 2024” with “January 5, 2025”
2. Bid Form, Page 13- Replace “ Basketball Sleeve & Footing (OFCI)” with “ Install Basketball hoops including Sleeve & Footing (OFCI)”
3. Bid Form, Page 13 – Remove Bid Item 34 - Picnic Shelter Installation

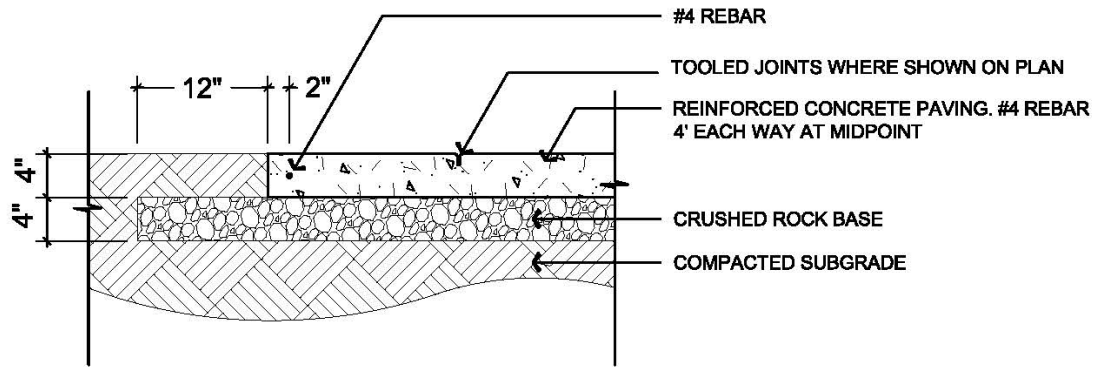
## ITEM 2 SPECIFICATIONS:

1. Section 12 93 00 – Site Furnishings
  - a. Add to section 3.2 (B) on page 3 of the specification.
    - i. Product - <https://www.grainger.com/product/Removable-Bollard-Embedded-18F769>
    - ii. Installation-<https://www.grainger.com/ec/pdf/Calpipe-Security-External-Removable-Bollards-5in-CAD-Drawing.pdf>

## ITEM 3 DRAWING UPDATES AND ADDITIONAL INFORMATION:

1. Link to LA-3 Grading Plan for Cut and Fill calculations- [Grading Drawing](#)
2. Link to 1200C Plan – [1200C Plan](#)
3. LA-1 Omit references to detail 4150 / LA-5, replace with reference to detail 6 / LA-4.
4. LA-4 Omit Detail 8 Reinforced Concrete with Thickened Edge at Basketball Court and replace with detail shown on page 2 of this addendum.

LA-4 – Revision to Detail 8 Reinforced Concrete with Thickened Edge at Basketball Court



8  
LA-4

REINFORCED CONCRETE BASKETBALL COURT

SECTION

SCALE: NTS

I have received, read, and incorporated changes, per this addendum, in my bid proposal:

Signature

Date